

AFTERCARE INSTRUCTIONS

Keep the seat and cover in an upright position during cleaning to avoid discolouration of surfaces or rusting of metal parts.

Keep clean of limescale build up to ensure the longevity of the stainless steel fixings.

CUSTOMER SERVICE

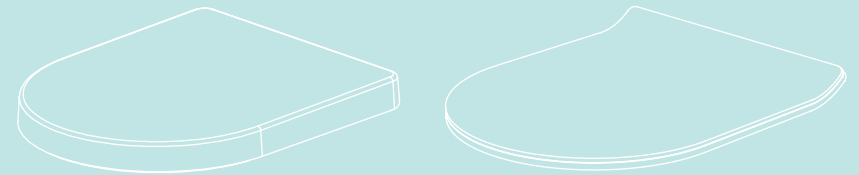
t: +44(0)208 686 5100
e: technical@saneux.com

4 Imperial Way
Croydon CR0 4RR

www.saneux.com

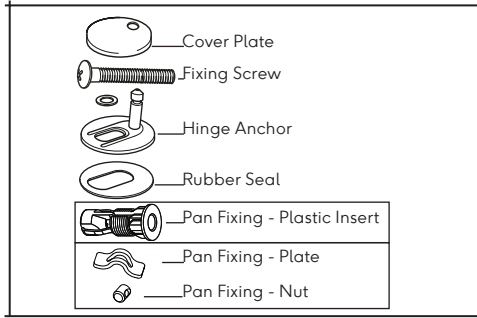
AUSTEN

INSTALLATION INSTRUCTIONS



AUTS01 - AUTS02

saneux

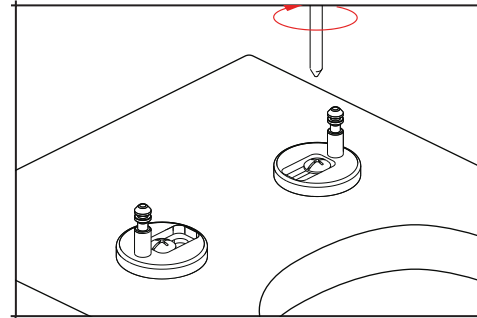


Installation.

Ensure all components are present. The Diagram shows the order of fixings.

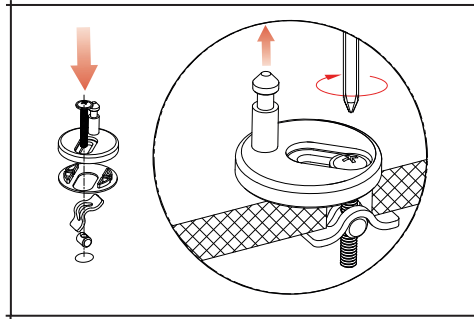
AUTS01 uses the plate and nut.

AUTS02 uses the plastic insert.

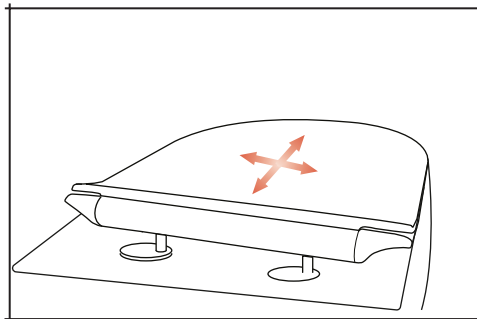
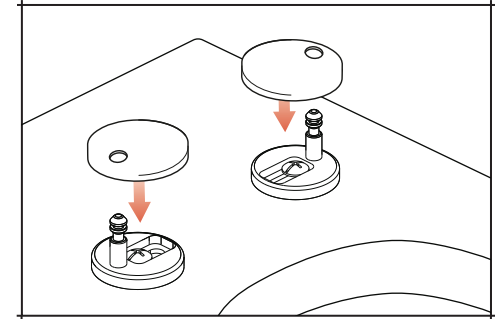


Tighten the screws with force until you hear a 'crunch'.

Push the fixing screw through the hinge anchor ensuring all the components are in the correct order. Hold the hinge anchor and tighten the screw moderately with a screw driver to secure the hinge anchor in place.



Place the cover caps on the fixings and push the seat back into the fixings again.



Align the seat to the edges of the pan.

When you are happy with the position of the seat carefully remove the seat without moving the fixings.

